

Add SMS text and email alerts to your remote machine or plant.

Overview

Alert device with multiple inputs and 2 relay output:

- Alerts by SMS, Email, Tweets or free “ring”
- Multiple customisable alert message recipients
- Output control by caller ID call, custom SMS, Tweets or scheduler
- Built-in battery backup for main power fail alerts
- Configuration by PC application, remotely by SMS or via Web

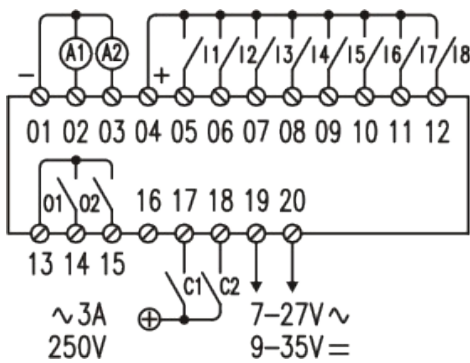
Specification

GSM Modem Frequency	850/900/1800/1900MHz Quad
Power Supply Voltage	9-36 VDC or 7-27VAC
Inputs channels	8 x digital, 2 x analog, 2 x counter
Input configuration	Digital N/C or N/O (send message on both) Analog 0-10, 0-2V, 0-20mA, NTC (selectable) Counter - pulse or time
Input events (alerts)	SMS & Email, Tweets plus “ring” alerts or combination.
Output channels	2 Relay
Output events (trigger)	Caller ID call, custom SMS, Tweets and schedule
Output Type	Relays 3A@240VAC
Dimensions	71 x 90 x 58 mm
Operating Temperature	-30...+60°C
Configuration	PC Config Tool (USB), SMS, Web
Antenna	Various options (FME connector)



**8 Inputs,
2 Analog inputs
2 Counter inputs
2 Relay output
SMS & Email Alerts
Twitter Alerts & Control**

Wiring



Mobi.Control Starter kits include: (* one starter kit per customer)



Ordering

Type	Description	Part Number
Mobi.Control Starter Kit *	Mobi.Control starter kit includes Mobil.Control, MobiSuite software/cable, ext antenna, power supply & UK unregistered SIM card	SMC-MOBCONTROLKIT
Mobi.Control	Mobi.Control unit with 8 digital, 2 analog, 2 counter inputs and 2 relay outputs. Battery backup included.	SMC-MOBCONTROL-XB
MobiSuite	Programming software for Mobi family includes serial programming cable (USB)	SAC-MOBISUITE
UK Power Supply	UK Plug-in 230vAC to 12vDC power supply	PS001
Patch Antenna	Self adhesive patch antenna with 2m cable & FME connector	SA011L2
Temp probe	NTC temperature probe with 50cm cable	SAC-TEMPPB