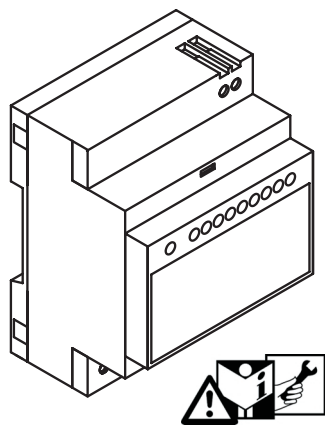


# GsmAlarm+

GSM REMOTE MONITOR

# GprsAlarm+

GSM/GPRS REMOTE MONITOR



## EN USER GUIDE

1018.01.00	<b>GsmAlarm+A</b>	EMBEDDED ANTENNA
1018.02.00	<b>GsmAlarm+A<sup>B</sup></b>	EMBEDDED ANTENNA + BACKUP BATTERY
1018.01.01	<b>GsmAlarm+X</b>	EXTERNAL ANTENNA
1018.02.01	<b>GsmAlarm+X<sup>B</sup></b>	EXTERNAL ANTENNA + BACKUP BATTERY
1018.01.10	<b>GprsAlarm+A</b>	EMBEDDED ANTENNA
1018.02.10	<b>GprsAlarm+A<sup>B</sup></b>	EMBEDDED ANTENNA + BACKUP BATTERY
1018.01.11	<b>GprsAlarm+X</b>	EXTERNAL ANTENNA
1018.02.11	<b>GprsAlarm+X<sup>B</sup></b>	EXTERNAL ANTENNA + BACKUP BATTERY

### DECLARATION OF CONFORMITY

R&TTE Directive 1999/5/EC

**Company identification:** Manufacturer: Contrive, Srl  
Via Enrico Fermi 18 24040 Suisio Italy

**Product identification:** Brand: Contrive  
Equipment name: GsmAlarm+ / GprsAlarm+  
Equipment type: GSM/GPRS modem

**We declare on our sole responsibility, that the product described above is in compliance with the essential requirements of the 1999/5/CE Directive:**

- EN 301 511** GSM900/1800 essential requirements for mobile stations
  - Health and safety requirements pursuant to clause 3.1a:**  
**EN 60950-1** Safety of information technology equipment
  - Protection requirements concerning EMC clause 3.1b:**  
**EN 301 489-1** Electromagnetic compatibility  
**EN 301 489-7** ElectroMagnetic compatibility and Radio spectrum Matters  
Specific conditions for mobile and portable radio and ancillary equipments
  - EN 61326** ElectroMagnetic compatibility measurement, control and laboratory use  
**EN 55024** Information technology equipment - Immunity characteristics
  - Measures for the efficient use of the radio frequency spectrum clause 3.2:**  
**EN 300 607** Radio spectrum matters
- NOTE: Class B equipment (domestic) emission level applied.  
Class A equipment (industrial) immunity level applied.

and all tests were carried out

**Notified Body:** EMCC DR. RAŠEK, GmbH  
Moggast, Boelwiese 5  
91320 Elbermannstadt Germany



Suisio, Italy February 21, 2006

This product is subject to Directive 2002/96/EC of the European Parliament and the Council of the European Union on waste electrical and electronic equipment (WEEE) and, in jurisdictions adopting that Directive, is marked as being put on the market after August 13, 2005, and should not be disposed of as unsorted municipal waste. Please utilize your local WEEE collection facilities in the disposition of this product and otherwise observe all applicable requirements.

CONTRIVE RESERVES THE RIGHT TO MODIFY THE CHARACTERISTICS STATED IN THIS INSTRUCTION MANUAL AT ANY TIME AND WITHOUT PRIOR NOTICE.

© COPYRIGHT 2002...2005 CONTRIVE SRL ITALY. ALL RIGHTS RESERVED.

## SAFETY INFORMATION

- Do not install this unit near medical devices like pacemakers or hearing aids. This unit may interfere with the operation of these devices.
- Switch off this unit when flying. Secure it so that it cannot be switched on inadvertently.
- Do not install this unit near petrol stations, fuel depots, chemical plants or blasting operations when this unit can disturb the operation of technical equipment.
- Interference can occur if this unit is used near televisions, radios or personal computers.
- If the device has been stored in a cold environment, then condensation can occur. Before starting operations, the device must be absolutely dry. Thus, an acclimatization period of at least three hours must be observed.
- In order to avoid possible damage, we recommend that you only use the specified accessories. These have been tested and shown to work well with this unit.

This device should be installed only by qualified personnel. Carefully read the instruction manual in its entirety and keep it safe for future reference. It is essential to know the information and comply with the instructions given in the manual to ensure the fitting is installed, used and serviced correctly and safely.

This RF unit is not designed for and intended to be used in portable applications (within 20 cm or 8 inches of the body of the user) and such uses are strictly prohibited.

This unit is not authorised for use as critical component in life-support devices or systems unless a specific written agreement has been given.

If incorrectly installed in a vehicle, the operation of GSM device could interfere with the correct functioning of vehicle electronics. Verification of the protection of vehicle electronics should form a part of the installation. Regulations must be considered to operate a vehicle's light or horn on public roads.

No complex software or hardware system is perfect. Bugs are always present in a system of any size.

In order to prevent danger to life or property, it is the responsibility of the system designer to incorporate redundant protective mechanism appropriate to the risk involved.

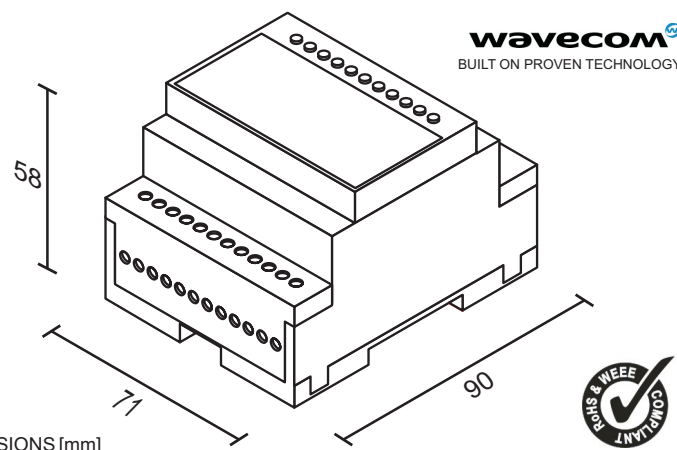
All units are 100% functionally tested. Specifications are based on characterisation of tested sample units rather than testing over temperature and voltage each unit.

Contrive disclaims all liability for damage to the fitting or to other property or persons deriving from installation, use and maintenance that have not been carried out in conformity with this instruction manual, which must always accompany the fitting.

## PRODUCT DESCRIPTION

The GsmAlarm+ is an industrial DIN rail GSM modem for the supervision and control of remote inputs and outputs by means of enhanced features available through GSM network.

Industrial standard interface and an integrated SIM card reader mean it can be used rapidly, easily and universally to quickly implement new applications in telemetry, telematics and remote control. All interfaces are integrated in the housing. The connections are suitable for use in domestic and industrial environments.



DIMENSIONS [mm]

## PRODUCT FEATURES

Dual band EGSM900 and GSM1800 for data, sms, fax and voice applications  
Full Type Approved and compliant with ETSI GSM Phase 2+

- Output power:** Class 4 ( 2W @ 900 MHz )  
Class 1 ( 1W @ 1800 MHz )
- Temperature:** operating -20 to 55°C  
storage and transport -30 to 85°C
- Relative humidity:** operating 5 to 95% non-condensing  
storage & transport 5 to 95% condensation allowed outside
- Enclosure:** EN-50022 rail 4 modules, polycarbonate, UL94 -V0
- Overall dimensions:** mm 71 x 90 x 58 ( W x H x D )
- Weight:** 200 g
- Degree of protection:** IP 40 (EN-60529 / IEC 529) properly fitted

## CARE AND MAINTENANCE

Your GsmAlarm is the product of advanced engineering, design and craftsmanship and should be treated with care. The suggestion below will help you to enjoy this product for many years.

- Do not expose the unit to any extreme environment where the temperature or humidity are out of operating range.
- Do not use or store the unit in dusty or dirty areas. Its moving parts (SIM holder for example) can be damaged.
- Do not use chemical cleaning agent on the unit or the SIM card.
- Do not attempt to disassemble the unit or remove any part or label. There are no user serviceable parts inside.
- Do not expose the unit to water, rain or spilt beverages. It is not waterproof.
- Do not abuse the unit by dropping, knocking or violently shaking it. Rough handling can damage it.
- Do not place the unit alongside computer discs, credit or travel cards or other magnetic media. The information contained on these devices may be affected.
- This unit is under your responsibility. Please treat it with care respecting all local regulations. It is not a toy. Therefore, keep it in a safe place at all times and out of the reach of children.
- Treat the SIM card with the same care as your credit card: do not bend or scratch or expose it to static electricity.
- Try to remember your unlock and PIN codes. Become familiar with and use the security features to block unauthorised use and theft.

Both fixed and mobile applications are allowed, as defined below:

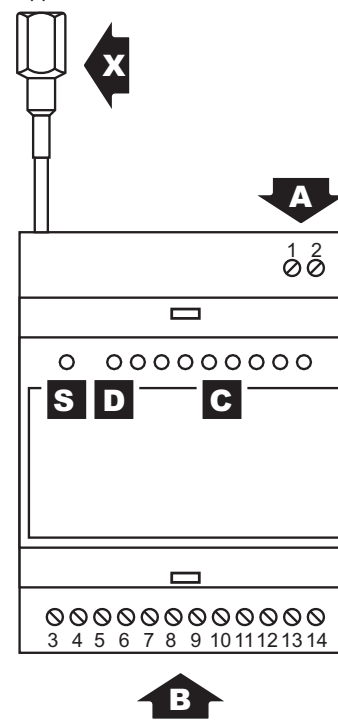
**Fixed** means that the device is physically secured at one location and is not able to be easily moved to another location.

**Mobile** means that the device is designed to be used in other than fixed locations and generally in such a way that a separation distance of at least 20 cm (8 inches) is normally maintained between the transmitter's antenna and the body of the user or nearby persons.

Do contact an authorized service center in the unlikely event of a fault in the unit.

## INSTALLATION

This unit can be installed on any standard EN-50022 rail by simple snap-in. A minimum protection degree IP40 must be guaranteed, raised to IP54 for open-air application.



- A. Power Supply input  
2 x 2,5mm<sup>2</sup> (AWG14)
- B. Input and output terminals  
12 x 2,5mm<sup>2</sup> (AWG14)
- C. Input red led status indicators
- D. Output green led status indicator
- X. External antenna (type X only)  
RG174 + FME male jack
- S. GSM operation LED indicator
  - OFF  
No power supply
  - ON  
PERMANENTLY  
Module switched ON  
Not registered on the network,  
missing SIM or invalid PIN
  - SLOW FLASH  
200ms ON / 2s OFF  
Module switched ON  
Registered on the network
  - QUICK FLASH  
200ms ON / 600ms OFF  
Module switched ON  
Registered on the network  
Communication in progress

## POWER SUPPLY

- Power supply:** 12 V DC ±20% polarity independent  
12 V AC ±20%  
< 30 mA @ 12 V DC in standby mode  
< 100 mA @ 12 V DC in standby mode, relays ON  
< 200 mA @ 12 V DC in communication mode  
< 1 A @ 12 V DC max peak current  
2 x 2.5 mm<sup>2</sup> (AWG14) screw connector

This unit can be supplied either by alternating or direct current, polarity independent. Power supply connection on terminal 1 and 2, top right side. The power supply unit must meet the demands placed on SELV [1] circuits in accordance with EN60950. The power supply must not be shared with other equipment: suggested power supply source is a simple 12VAC / 5VA transformer. The maximum permissible connection length between device and supply source is 3 m. Overvoltages are suppressed by internal varistor.

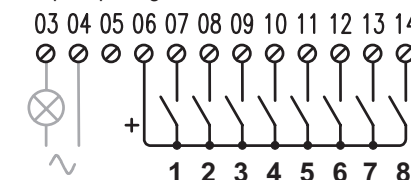
[1] Safety Extremely Low Voltage

## INPUTS / OUTPUT

### INPUTS

Eight digital inputs coming from SPST contacts can be wired to terminals 7-14. Common return for contacts at terminal 6. Using electronic switches, terminal 6 is the positive leg. In order to avoid false triggering, contacts will be considered closed or open after 3 seconds from stable condition. Modifying the configuration by means of GsmSuite, either in local or remote mode it will be possible to change:

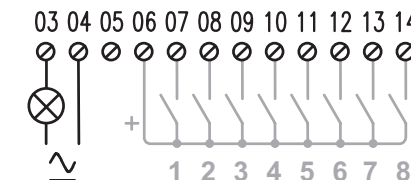
- Debounce time from 1 to 99 seconds.
- Enable and disable input closing detection.
- Enable and disable input opening detection.



Contact voltage < 20 Vdc  
Contact current < 2 mA  
9 x 2.5 mm<sup>2</sup> (AWG14) screw connector

### OUTPUT

Process or appliance can be controlled by means of 1 SPST relay contact available between terminals 3-4.



Rated current 4 A  
Rated voltage 250 Vac  
Max breaking capacity 2500 VA  
Minimum contact load 100 mA, 12 V  
Cadmium free contacts  
Insulation 250 V (IEC60664 / VDE0110b - cat. III / C)  
Surge voltage coil contacts: 4000VRMS  
Dielectric strength coil-contacts 2500VRMS  
open contact circuit 1000VRMS  
4 x 2.5 mm<sup>2</sup> (AWG14) screw connector

## ANTENNA

### GsmAlarm+A

The embedded antenna is located under the front panel. This omnidirectional antenna can work properly if the front side of the device is not shielded by metallic frames (i.e.: the GsmControl+A is installed inside a metal cabinet).

### GsmAlarm+X

An external dual-band antenna must be connected to the RF interface, implemented as a 50Ω FME male coaxial jack at the end of a short RG174 cable stub exiting from the top side of the device. The antenna must fulfil the requirements given below:

Frequency TX	880 to 915 MHz	1710 to 1785 MHz
Frequency RX	925 to 960 MHz	1805 to 1880 MHz
Impedance	50 ohms	
VSWR	RX max	1.5 : 1
	TX max	1.5 : 1
Polarization	Linear	
Typical gain	0 dBi in one direction at Least	

We recommend a VSWR max of 1.5:1 although a VSWR max of 2:1 can be accepted without affecting performance and certification. The DC impedance is floating but there is no problem when using antennas that present a short to ground.

THE INFORMATION CONTAINED IN THIS DOCUMENT ARE SUBJECT TO CHANGE WITHOUT NOTICE. PRODUCT NAMES, CORPORATE NAMES OR TITLES USED WITHIN THIS DOCUMENT MAY BE TRADEMARKS OR REGISTERED TRADEMARKS OF OTHER COMPANIES AND ARE MENTIONED ONLY IN AN EXPLANATORY MANNER TO THE READERS' BENEFIT, AND WITHOUT INTENTION TO INFRINGE.

WHILE EVERY EFFORT HAS BEEN MADE TO MAKE SURE THE INFORMATION IN THIS DOCUMENT IS CORRECT, CONTRIVE CAN NOT BE LIABLE FOR ANY DAMAGES WHATSOEVER FOR LOSS RELATING TO THIS DOCUMENT.

### WARRANTIES

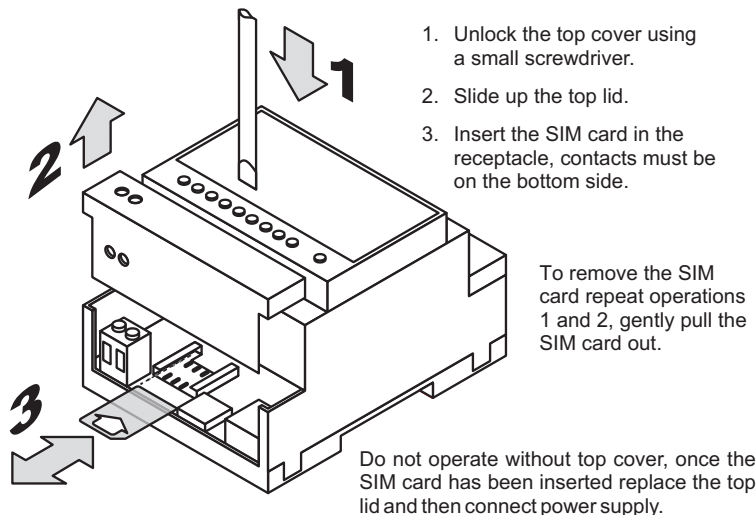
CONTRIVE GUARANTEES FOR TWO YEARS FROM THE DATE OF MANUFACTURE OF ITS PRODUCT TO REPLACE, OR, AT ITS OPTION, TO REPAIR ANY PRODUCT OR PART THEREOF WHICH IS FOUND DEFECTIVE IN MATERIAL OR WORKMANSHIP OR WHICH OTHERWISE FAILS TO CONFORM TO THE DESCRIPTION OF ITS SALES ORDER. CONTRIVE MAKES NO WARRANTY OF MERCHANTABILITY OR ANY OTHER WARRANTY EXPRESS OR IMPLIED. IN NO EVENT SHALL CONTRIVE BE LIABLE FOR CONSEQUENTIAL OR SPECIAL DAMAGES OF ANY NATURE WHICH MAY ARISE IN CONNECTION WITH SUCH PRODUCTS.

THE WARRANTY DOES NOT APPLY IN CASE OF IMPROPER USE

## SIM CARD

The SIM card receptacle is intended for 3V SIM cards [GSM 11.12 phase 2+]. The SIM card must be inserted in the cardholder to put the unit into operation.

Make sure that there is no voltage applied to GsmControl+. Disconnect also the backup battery, if any. Following the figure below:

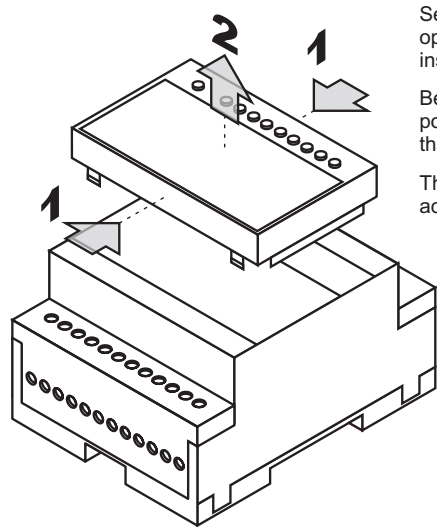


1. Unlock the top cover using a small screwdriver.
2. Slide up the top lid.
3. Insert the SIM card in the receptacle, contacts must be on the bottom side.

To remove the SIM card repeat operations 1 and 2, gently pull the SIM card out.

Do not operate without top cover, once the SIM card has been inserted replace the top lid and then connect power supply.

## ACCESS INSIDE



Serial communication port and optional backup battery are located inside the unit.

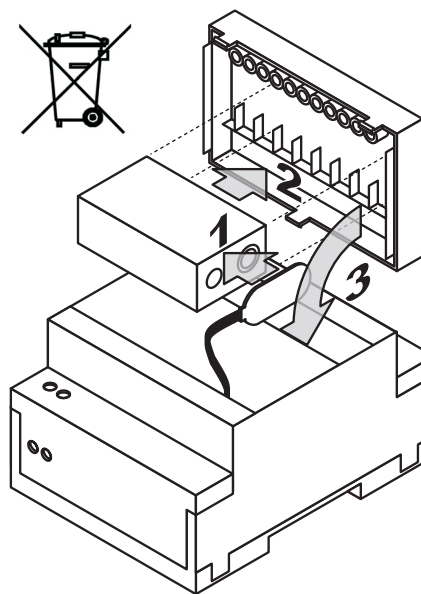
Before opening the unit disconnect power supply and all live circuits that may be connected.

The front cover must be removed to access the inside of the unit:

1. Push with two fingers on top and bottom sides of front cover to release it.
2. Pull the front cover and keep it in a safe place.

The newer NiMH batteries are less harmful to the environment, have a longer life, and contain recyclable materials. Recycling options available in your local area should be considered when disposing of this product. Do not dispose of in fire.

## BACKUP BATTERY



If the unit is provided with UPS feature, a backup battery can be installed to keep the device working even during power failures. Once the front cover has been removed:

1. Clip the battery to available connector. This connector must be isolated when operating without backup battery.
2. Push the battery into retainer lids located under front cover.
3. Replace the front cover to close the unit.

**WHEN USING BATTERIES AND ACCUMULATORS ADHERE TO RELEVANT REGULATIONS**

Use only NiMH rechargeable batteries 8.4V or 9.6V type.

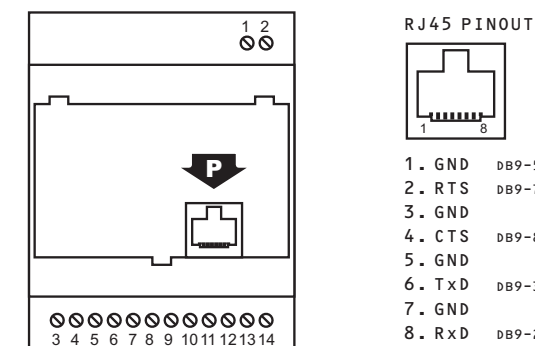
## COM PORT

**ADVANCED CONFIGURATION, LOCAL CONTROL, TRACING AND OTHER FEATURES ARE AVAILABLE THROUGH SERIAL COMMUNICATION LINK**

Specific literature and software **GsmSuite** for PC running Microsoft® Windows® are available for free download at [www.gsm-control.biz](http://www.gsm-control.biz).

Remove the front cover following the instructions to access the RJ45 8 pin modular jack serial interface [P].

Link cable **1013.00.02** is available from local resellers.



Communication: RS-232 (DCE)  
300 ... 115200 bit/s  
7/8 data bits, 1/2 stop bits, 1 parity bit, 10/11 bit char length  
Software handshake, Hardware handshake

## SIM PIN

### Operating without SIM PIN

The simplest way is to put your SIM card into a cellular phone and program it so it won't ask for the PIN. The SIM card is 'open' and someone could steal the SIM card, use it and read the information inside.

### Enter default SIM PIN

GsmControl+ comes with a default PIN = **0000** (four zeroes). Put your SIM card into a cellular phone and program the PIN using the given number.

### Change default SIM PIN

Using com port and **GsmSuite** running on Microsoft® Windows® PC you can modify the default PIN on both GsmControl+ and SIM card.

### WARNING

If you insert a SIM card that asks for a PIN number different from that stored into GsmControl+, the device will not operate. If you enter the PIN 3 times incorrectly, SIM card will lock up and you must provide the PUK (PIN Unblocking Key).

## CONFIGURATION

### Add Recipients (group 9)

Alerts following local events can be issued to Recipients (upto 100). Recipients stored in the internal memory of GsmAlarm+ can be modified using GsmSuite with local link or by means of SMS issued by supervisors:

+9, iii, Ring, Name, SMS, Event, Fax, XSMS, Email, Text			
iii	Phonebook index	301 + 400	
Ring	Destination for phone calls	20 CHAR MAX	[1]
Name	Recipient's name	14 CHAR MAX	
SMS	Destination for SMS alerts	20 CHAR MAX	[1]
Event	Specific event		
	00: Blackout		
	01: Input 1 closing		
	02: Input 2 closing		
	03: Input 3 closing		
	04: Input 4 closing		
	05: Input 5 closing		
	06: Input 6 closing		
	07: Input 7 closing		
	08: Input 8 closing		
	10: Power good		
	11: Input 1 opening		
	12: Input 2 opening		
	13: Input 3 opening		
	14: Input 4 opening		
	15: Input 5 opening		
	16: Input 6 opening		
	17: Input 7 opening		
	18: Input 8 opening		
	30: Remote tracing of all events		
Fax	Destination for FAX alerts	20 CHAR MAX	[1]
XSMS	Destination for Extended SMS alerts	20 CHAR MAX	[1]
Email	Destination for email alerts	40 CHAR MAX	[2]
Text	Text of the message	56 CHAR MAX	

Example: +9,301,+44987654,Harry,,01,,harry@harry.com,fire  
Harry will receive both a phone call and an Email message when input 1 is closing, the text of the message will be "fire".

+9,302,,Harry,,00,,+44987654,,power fail  
Harry Potter will receive an (extended) SMS alerting a complete status report and the specific alert text "power fail" detecting blakouts.

+9,302,+44987654,Harry,+44987654,30  
Harry Potter will receive both a phone call and an SMS at any local event, text of the message is the event description including date and time.

Using GsmSuite is possible to configure advanced features, either linking the unit with local com port or issuing SMS in remote mode. Refer to GsmSuite help file or Advanced Manual for detailed information. Most important advanced features:

### Add / edit Supervisors (group 7)

Up to 100 supervisors can be stored inside the unit.

### Add / edit Users (group 0 / group 1)

Users can be stored into SIM card phonebook. Conditional users (having more features) can be stored into device memory.

### Delete Phonebook entries

Remove any entry from phonebooks by means of GsmSuite or issuing an SMS.

### GPRS / Email settings

Emails service configuration, available for GPRS devices.

### Scheduled operations

Activities to be performed on a time basis (up to 100).

## DEVICE INFO

To identify your device more easily, you can store some specific information. A supervisor can issue the following SMS:

```
+3,300,tel,info,,,,email,text
tel Device own phone number 20 CHAR MAX [1]
info Short description 14 CHAR MAX
email Optional device own email address 40 CHAR MAX [2]
text Detailed device application info 56 CHAR MAX
```

Example: +3,300,+4456789,Building 1,,,,,Apt. 5 living room

info and text will be shown within status SMS sent by this unit.

[1] Device phone number (always in international format) will be used to perform real time clock autosync, missing this field the real time clock is unreliable and SMS commands involving date field will be rejected.

[2] All email issued from Gprs type unit will be sent carbon copy also to its own mailbox if a valid address is provided.

## SMS CONTROL

Any registered user can control the output by means of SMS. Following default commands can be changed to any custom text using **GsmSuite**. More details available on "Advanced Manual".

```
S1 Set output 1 ON [3]
R1 Reset output 1 OFF
M1 Set output 1 ON and LATCH (set again at further power on) [4]
D Status SMS request
B Ringback request once command has been processed
```

Commands will be recognized both uppercase, lowercase and mixed, nested within other text wherever placed inside the incoming SMS. Multiple commands into same SMS are allowed.

[3] Specifying a time interval after the set command, output will be released once set time has elapsed. If a power failure occurs, the remaining time is missing, thus the output will be released. Command syntax:

```
S1ddhhmm dd days 00-99
hh hours 00-23
mm minutes 00-59
```

[4] Specifying date/time after the set and latch command, output will be released at specified expiry date/time. Output status will be recovered after blackout providing the real time clock sync has been performed successfully.

```
M1ddmmyyhhmm dd day 01-31
hh month 01-12
hh year 00-99
hh hours 00-23
mm minutes 00-59
```

Example: S1000830 text D alien trailer  
turn ON output for 8 hours and 30 minutes,  
send back a status SMS

```
M12504061230
turn on and latch the output until April 25, 2006 12:30
```

```
s1 alien trailer B
turn ON output,
turn on and latch the output, ringback
```

## FREE CLIP CONTROL

Registered users can control outputs by means of simple (free) calls. Supervisors can set different activation times and outputs behaviour issuing an SMS:

```
+2,290,,,pulse,,,,answ,mode
pulse On time 01 - 60" default 3"
answ Time to answer in toggle mode 01 - 60" default 15"
mode none, pulse, toggle, reverse,dtmf
```

### NONE

Clip feature is disabled, nothing happens on incoming calls from registered users.

### PULSE (default)

Selecting this mode, incoming voice (or fax) call from registered user will turn on the output for the time set in pulse.

### TOGGLE

Incoming voice (or fax) calls will toggle the output on to off or vice-versa. A ringback will be issued only when an output is turned on. If the user waits online, after the time specified in answ GsmAlarm+ will answer, playing a low tone after output release or four high tones after output activation. No ringback will be issued in such case.

## STATUS SMS

Following a typical status SMS issued on request:

Building 1	Short description
Apt. 5 living room	Detailed device application info
In 1 :close	input closed
In 2 :open	input open
In 3 :open	input open
In 4 :open	input open
In 5 :open	input open
In 6 :open	input open
In 7 :open	input open
In 8 :open	input open
Out1 : on 00:01:22	remaining time to output off
Clip:pulse on	clip mode and status
Blackout	Main power failure detected

**Out status:** off output inactive  
on output active, remaining time to disable could follow  
!on output active and latched  
| pulse clip sequence in progress

**In 1 - 8 status:** open input open, inactive  
close input close, active

## SYSTEM COMMANDS

Special control SMS are reserved for supervisors only:

### Stop / Start

Disable / enable free calls control feature (CLIP).

### Lista# / Listu#

An SMS reporting last # (1-9) answered / unanswered call list will be sent. Full list specifying 0.

### Pbook / Pbook++

An Email reporting the complete phonebook will be issued to supervisor's email address, if any (GPRS only). Pbook ++ will return phonebook + settings.

## QUICK START

### Add Users (group 0)

Remote control is allowed to registered users only. It's possible to add, modify or delete subscribers from the SIM card phonebook using any GSM mobile phone or SIM card reader/writer.

Following operating instructions provided by phone manufacturer insert the SIM card into the SIM card holder, turn on the phone and scroll the option menu to enter the SIM card Phonebook edit mode.

Enter the users name and telephone number using international format. Insert the SIM card into the device SIM card holder and turn on the power supply, the unit is ready to operate.



### Store first supervisor

Although it is not mandatory to store a supervisor, you may add a supervisor who then has additional special commands only available to him (advanced manual). To store the first supervisor, once the unit is operative, issue the following SMS:

```
#xxxx.Name.email*
# start character
xxxx system PIN (default = 0000) 4 CHARACTERS
Name supervisor's name to be stored 14 CHARACTERS MAX
email optional email address 40 CHARACTERS MAX
* end character
```

Example: #0000.Harry Potter.harry.potter@hogwarts.com\*

The telephone number of SMS sender is automatically collected from the incoming call presentation (thus the telephone number must be kept visible) and will be assumed as the first supervisor's telephone number.

First supervisor will be stored at position 401 and the unit will send back a confirmation or error SMS.

Dots are allowed ONLY within the email address field.

It's possible to use both ? and @ characters before the domain name.

**i** SMS delivery failure is usually less than 1% but you must keep in mind that a message could not arrive and you cannot complain with your operator for this. **GsmAlarm+ deletes any pending SMS at power-on.**