

The embedded AL2-GSM Modem integrates completely with the Mitsubishi Alpha XL - fitting internally into the expansion port.

Designed exclusively to work with the Mitsubishi GSM command set, you can control your process and send "live" data and alarm messages based on event or time driven actions. Call the unit to reset an output or request a message. Change values by SMS.

Now you have the functionality of a micro PLC with the communication power of GSM

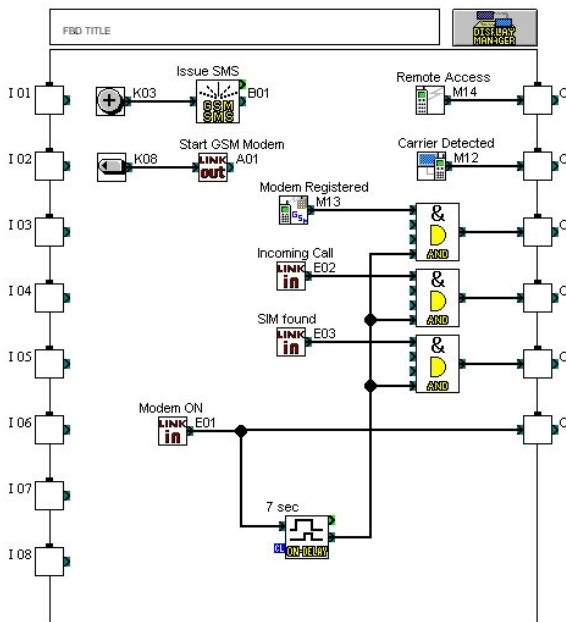
For further information please contact SeNd Technology.



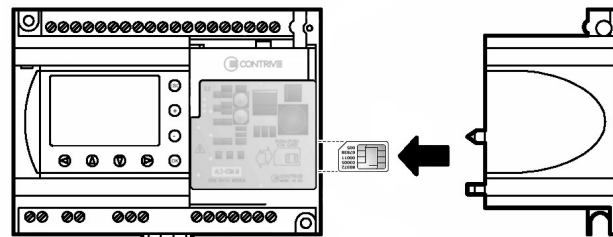
Applications:

- Plant Control
- Remote Pumping Stations
- Process Control
- Alarm Systems
- Scheduled Maintenance
- Plant Maintenance
- Machinery OEMS
- Water processing
- Refrigeration Sites
- Cargo Handling
- Car Parks

GSM Functions build directly into Alpha Configuration Software



GSM Modem fits into Alpha XL Expansion Unit



Any information displayed on the LCD panel on the front of the Alpha (including variable data) can be sent as a SMS message or email to multiple recipients. Action events just by "ringing" the unit or sending an custom SMS.

"A complete control system"

Main Units (AlphaXL complete with GSM Modem)

SMCAL001	Alpha XL 24VDC, 8in/6out + built-in GSM	
SMCAL002	Alpha XL 24VDC, 15in/9out + built-in GSM	

GSM Modem Insert for existing 24vDC Alpha XL

SMCALGSM01	GSM Insert module	
------------	-------------------	--

Accessories

SA013	SIM Card - Pay-as-you-go	
SA011A	Mag Mount Antennae	

For further details please contact:

SeNd Technology Ltd

Tel: 01628 638557 Fax: 07092 383861: Email: sales@sendtech.co.uk